

Stainless Steel-Levelling feet

with fixing lug

SPECIFICATION

Types (Base plate)

- Type **D0**: blank, ground without rubber pad
- Type **D1**: blank, ground rubber, clipped on, black
- Type **D3**: blank, ground rubber vulcanised, black

Version

- Version **S**: without nut, external hexagon at the bottom
- Version **SK**: with nut, external hexagon at the bottom
- Version **T**: without nut, wrench flat at the bottom, "not dipping" version
- Version **TK**: with nut, wrench flat at the bottom, "not dipping" version
- Version **U**: without nut, hexagon socket at the top, wrench flat at the bottom
- Version **UK**: with nut, hexagon socket at the top, wrench flat at the bottom
- Version **V**: without nut, external hexagon at the top, wrench flat at the bottom
- Version **VK**: with nut, external hexagon at the top, wrench flat at the bottom
- Version **W**: with adjustable sleeve, wrench flat at the bottom
- Version **X**: with female thread, external hexagon

Base plate

Stainless Steel AISI 304

Threaded stem

Stainless Steel AISI 303

Hexagon nut ISO 4032

Stainless Steel AISI 304

Rubber cap, clipped on

black, Santoprene® (TPE) 80 ≈ Shore A

Rubber underlay, vulcanised

black, Perbunan® (NBR) 70 ± Shore A

INFORMATION

Stainless Steel-Levelling feet GN 43 will be delivered mounted and are not removable.

TECHNICAL INFORMATION

- Stainless Steel characteristics (see page A26)
- Elastomer characteristics (see page A32)

GN 43



LOAD RATING OF STAINLESS STEEL-LEVELLING FEET

Information

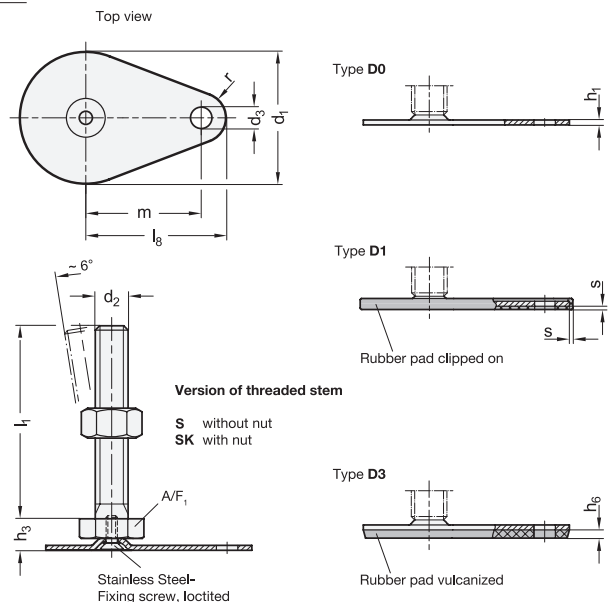
The static load bearing capacity given in the table rests on a test series in which the load has been applied perpendicular to the base plate (without rubber pad). For the values given in the table, the strain relief may result in minor deformations of the base plate.

Bending and buckling stress which often occurs in practice results in a lower load bearing capacity of the adjustment spindle and may have to be taken into account.

Also, the spindle strength is assumed to be $\geq 500 \text{ N/mm}^2$.

The details given on strength are nonbinding guide values without any liability. In general, they do not constitute a warranty of quality.

The user must determine from case to case if a product is suitable for the intended purpose or use. Environmental factors may influence the stated values.





Levelling elements 11

GN 43

* Complete with version of the Levelling feet (External hexagon at the bottom)

S without nut
SK with nut

GN 43-S/SK

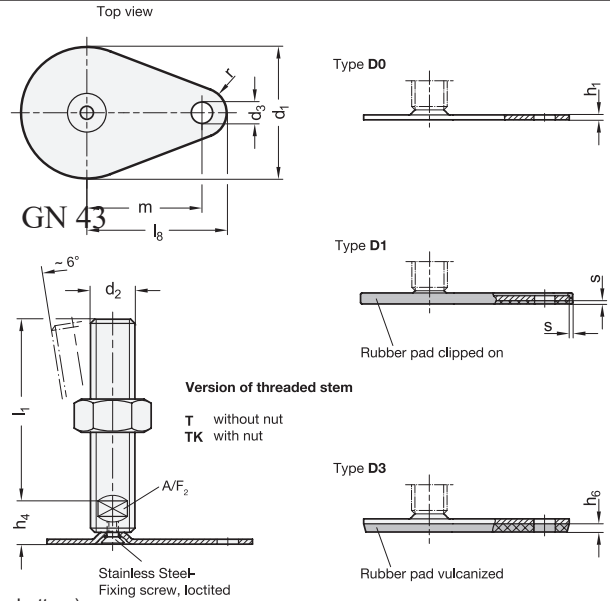
STAINLESS STEEL

Description	d1	d2	l1	d3	h1	h3	h6	l8	s	r	A/F ₁	Static load in kN	
GN 43-50-M8-40-D0-*	50	M 8	40	13	2	11	-	60	2	15	17	8	90
GN 43-50-M8-40-D1-*	50	M 8	40	13	2.5	11	-	60	2	15	17	8	100
GN 43-50-M8-40-D3-*	50	M 8	40	13	2.5	11	4	60	2	15	17	8	100
GN 43-50-M8-50-D0-*	50	M 8	50	13	2.5	11	-	60	2	15	17	8	92
GN 43-50-M8-50-D1-*	50	M 8	50	13	2.5	11	-	60	2	15	17	8	100
GN 43-50-M8-50-D3-*	50	M 8	50	13	2.5	11	4	60	2	15	17	8	103
GN 43-50-M8-63-D0-*	50	M 8	63	13	2.5	11	-	60	2	15	17	8	100
GN 43-50-M8-63-D1-*	50	M 8	63	13	2.5	11	-	60	2	15	17	8	100
GN 43-50-M8-63-D3-*	50	M 8	63	13	2.5	11	4	60	2	15	17	8	120
GN 43-50-M10-50-D0-*	50	M 10	50	13	2.5	11	-	60	2	15	17	14	100
GN 43-50-M10-50-D1-*	50	M 10	50	13	2.5	11	-	60	2	15	17	14	100
GN 43-50-M10-50-D3-*	50	M 10	50	13	2.5	11	4	60	2	15	17	14	120
GN 43-50-M10-60-D0-*	50	M 10	60	13	2.5	11	-	60	2	15	17	14	115
GN 43-50-M10-60-D1-*	50	M 10	60	13	2.5	11	-	60	2	15	17	14	120
GN 43-50-M10-60-D3-*	50	M 10	60	13	2.5	11	4	60	2	15	17	14	120
GN 43-50-M10-80-D0-*	50	M 10	80	13	2.5	11	-	60	2	15	17	14	120
GN 43-50-M10-80-D1-*	50	M 10	80	13	2.5	11	-	60	2	15	17	14	128
GN 43-50-M10-80-D3-*	50	M 10	80	13	2.5	11	4	60	2	15	17	14	140
GN 43-50-M10-100-D0-*	50	M 10	100	13	2.5	11	-	60	2	15	17	14	110
GN 43-50-M10-100-D1-*	50	M 10	100	13	2.5	11	-	60	2	15	17	14	140
GN 43-50-M10-100-D3-*	50	M 10	100	13	2.5	11	4	60	2	15	17	14	140
GN 43-50-M12-60-D0-*	50	M 12	60	13	2.5	11	-	60	2	15	17	14	129
GN 43-50-M12-60-D1-*	50	M 12	60	13	2.5	11	-	60	2	15	17	14	140
GN 43-50-M12-60-D3-*	50	M 12	60	13	2.5	11	4	60	2	15	17	14	140
GN 43-50-M12-80-D0-*	50	M 12	80	13	2.5	11	-	60	2	15	17	14	143
GN 43-50-M12-80-D1-*	50	M 12	80	13	2.5	11	-	60	2	15	17	14	143
GN 43-50-M12-80-D3-*	50	M 12	80	13	2.5	11	4	60	2	15	17	14	160
GN 43-50-M12-100-D0-*	50	M 12	100	13	2.5	11	-	60	2	15	17	14	160
GN 43-50-M12-100-D1-*	50	M 12	100	13	2.5	11	-	60	2	15	17	14	166
GN 43-50-M12-100-D3-*	50	M 12	100	13	2.5	11	4	60	2	15	17	14	170
GN 43-50-M12-125-D0-*	50	M 12	125	13	2.5	11	-	60	2	15	17	14	180
GN 43-50-M12-125-D1-*	50	M 12	125	13	2.5	11	-	60	2	15	17	14	200
GN 43-50-M12-125-D3-*	50	M 12	125	13	2.5	11	4	60	2	15	17	14	200
GN 43-60-M8-40-D0-*	60	M 8	40	13	2.5	11	-	65	2	15	17	8	102
GN 43-60-M8-40-D1-*	60	M 8	40	13	2.5	11	-	65	2	15	17	8	108
GN 43-60-M8-40-D3-*	60	M 8	40	13	2.5	11	4.5	65	2	15	17	8	120
GN 43-60-M8-50-D0-*	60	M 8	50	13	2.5	11	-	65	2	15	17	8	100
GN 43-60-M8-50-D1-*	60	M 8	50	13	2.5	11	-	65	2	15	17	8	120
GN 43-60-M8-50-D3-*	60	M 8	50	13	2.5	11	4.5	65	2	15	17	8	130
GN 43-60-M8-63-D0-*	60	M 8	63	13	2.5	11	-	65	2	15	17	8	109
GN 43-60-M8-63-D1-*	60	M 8	63	13	2.5	11	-	65	2	15	17	8	116
GN 43-60-M8-63-D3-*	60	M 8	63	13	2.5	11	4.5	65	2	15	17	8	148
GN 43-60-M10-50-D0-*	60	M 10	50	13	2.5	11	-	65	2	15	17	14	120
GN 43-60-M10-50-D1-*	60	M 10	50	13	2.5	11	-	65	2	15	17	14	130
GN 43-60-M10-50-D3-*	60	M 10	50	13	2.5	11	4.5	65	2	15	17	14	140
GN 43-60-M10-60-D0-*	60	M 10	60	13	2.5	11	-	65	2	15	17	14	130
GN 43-60-M10-60-D1-*	60	M 10	60	13	2.5	11	-	65	2	15	17	14	140
GN 43-60-M10-60-D3-*	60	M 10	60	13	2.5	11	4.5	65	2	15	17	14	164
GN 43-60-M10-80-D0-*	60	M 10	80	13	2.5	11	-	65	2	15	17	14	140

GN 43-S/SK

STAINLESS STEEL

Description	d1	d2	l1	d3	h1	h3	h6	l8	s	r	A/F ₁	Static load in kN	
GN 43-60-M10-80-D0-*	60	M 10	80	13	2.5	11	-	65	2	15	17	14	140
GN 43-60-M10-80-D1-*	60	M 10	80	13	2.5	11	-	65	2	15	17	14	150
GN 43-60-M10-80-D3-*	60	M 10	80	13	2.5	11	4.5	65	2	15	17	14	170
GN 43-60-M10-100-D0-*	60	M 10	100	13	2.5	11	-	65	2	15	17	14	140
GN 43-60-M10-100-D1-*	60	M 10	100	13	2.5	11	-	65	2	15	17	14	160
GN 43-60-M10-100-D3-*	60	M 10	100	13	2.5	11	4.5	65	2	15	17	14	180
GN 43-60-M12-60-D0-*	60	M 12	60	13	2.5	11	-	65	2	15	17	16	150
GN 43-60-M12-60-D1-*	60	M 12	60	13	2.5	11	-	65	2	15	17	16	159
GN 43-60-M12-60-D3-*	60	M 12	60	13	2.5	11	4.5	65	2	15	17	16	181
GN 43-60-M12-80-D0-*	60	M 12	80	13	2.5	11	-	65	2	15	17	16	160
GN 43-60-M12-80-D1-*	60	M 12	80	13	2.5	11	-	65	2	15	17	16	180
GN 43-60-M12-80-D3-*	60	M 12	80	13	2.5	11	4.5	65	2	15	17	16	180
GN 43-60-M12-100-D0-*	60	M 12	100	13	2.5	11	-	65	2	15	17	16	180
GN 43-60-M12-100-D1-*	60	M 12	100	13	2.5	11	-	65	2	15	17	16	190
GN 43-60-M12-100-D3-*	60	M 12	100	13	2.5	11	4.5	65	2	15	17	16	200
GN 43-60-M12-125-D0-*	60	M 12	125	13	2.5	11	-	65	2	15	17	16	200
GN 43-60-M12-125-D1-*	60	M 12	125	13	2.5	11	-	65	2	15	17	16	210
GN 43-60-M12-125-D3-*	60	M 12	125	13	2.5	11	4.5	65	2	15	17	16	210
GN 43-80-M8-40-D0-*	80	M 8	40	13	3	12	-	85	2	15	17	8	195
GN 43-80-M8-40-D1-*	80	M 8	40	13	3	12	-	85	2	15	17	8	212
GN 43-80-M8-40-D3-*	80	M 8	40	13	3	12	5	85	2	15	17	8	225
GN 43-80-M8-50-D0-*	80	M 8	50	13	3	12	-	85	2	15	17	8	184
GN 43-80-M8-50-D1-*	80	M 8	50	13	3	12	-	85	2	15	17	8	230
GN 43-80-M8-50-D3-*	80	M 8	50	13	3	12	5	85	2	15	17	8	230
GN 43-80-M8-63-D0-*	80	M 8	63	13	3	12	-	85	2	15	17	8	192
GN 43-80-M8-63-D1-*	80	M 8	63	13	3	12	-	85	2	15	17	8	205
GN 43-80-M8-63-D3-*	80	M 8	63	13	3	12	5	85	2	15	17	8	232
GN 43-80-M10-50-D0-*	80	M 10	50	13	3	12	-	85	2	15	17	14	222
GN 43-80-M10-50-D1-*	80	M 10	50	13	3	12	-	85	2	15	17	14	230
GN 43-80-M10-50-D3-*	80	M 10	50	13	3	12	5	85	2	15	17	14	262
GN 43-80-M10-60-D0-*	80	M 10	60	13	3	12	-	85	2	15	17	14	230
GN 43-80-M10-60-D1-*	80	M 10	60	13	3	12	-	85	2	15	17	14	227
GN 43-80-M10-60-D3-*	80	M 10	60	13	3	12	5	85	2	15	17	14	266
GN 43-80-M10-80-D0-*	80	M 10	80	13	3	12	-	85	2	15	17	14	236
GN 43-80-M10-80-D1-*	80	M 10	80	13	3	12	-	85	2	15	17	14	240
GN 43-80-M10-80-D3-*	80	M 10	80	13	3	12	5	85	2	15	17	14	270
GN 43-80-M10-100-D0-*	80	M 10	100	13	3	12	-	85	2	15	17	14	240
GN 43-80-M10-100-D1-*	80	M 10	100	13	3	12	-	85	2	15	17	14	257
GN 43-80-M10-100-D3-*	80	M 10	100	13	3	12	5	85	2	15	17	14	273
GN 43-80-M12-60-D0-*	80	M 12	60	13	3	12	-	85	2	15	17	20	250
GN 43-80-M12-60-D1-*	80	M 12	60	13	3	12	-	85	2	15	17	20	265
GN 43-80-M12-60-D3-*	80	M 12	60	13	3	12	5	85	2	15	17	20	283
GN 43-80-M12-80-D0-*	80	M 12	80	13	3	12	-	85	2	15	17	20	250
GN 43-80-M12-80-D1-*	80	M 12	80	13	3	12	-	85	2	15	17	20	267
GN 43-80-M12-80-D3-*	80	M 12	80	13	3	12	5	85	2	15	17	20	290
GN 43-80-M12-100-D0-*	80	M 12	100	13	3	12	-	85	2	15	17	20	260
GN 43-80-M12-100-D1-*	80	M 12	100	13	3	12	-	85	2	15	17	20	270
GN 43-80-M12-100-D3-*	80	M 12	100	13	3	12	5	85	2	15	17	20	300
GN 43-80-M12-125-D0-*	80	M 12	125	13	3	12	-	85	2	15	17	20	270
GN 43-80-M12-125-D1-*	80	M 12											



* Complete with version of the Levelling feet (Wrench flat at the bottom)

T without nut
TK with nut

GN 43-T/TK

STAINLESS STEEL

Description	d1	d2	l1	d3	h1	h4	h6	l8	s	r	A/F ₂	Static load in kN	
GN 43-50-M16-75-D0-*	50	M16	75	13	2.5	17	-	60	2	15	12	14	168
GN 43-50-M16-75-D1-*	50	M16	75	13	2.5	17	-	60	2	15	12	14	177
GN 43-50-M16-75-D3-*	50	M16	75	13	2.5	17	4	60	2	15	12	14	181
GN 43-50-M16-100-D0-*	50	M16	100	13	2.5	17	-	60	2	15	12	14	200
GN 43-50-M16-100-D1-*	50	M16	100	13	2.5	17	-	60	2	15	12	14	210
GN 43-50-M16-100-D3-*	50	M16	100	13	2.5	17	4	60	2	15	12	14	220
GN 43-50-M16-125-D0-*	50	M16	125	13	2.5	17	-	60	2	15	12	14	233
GN 43-50-M16-125-D1-*	50	M16	125	13	2.5	17	-	60	2	15	12	14	242
GN 43-50-M16-125-D3-*	50	M16	125	13	2.5	17	4	60	2	15	12	14	246
GN 43-50-M16-150-D0-*	50	M16	150	13	2.5	17	-	60	2	15	12	14	265
GN 43-50-M16-150-D1-*	50	M16	150	13	2.5	17	-	60	2	15	12	14	274
GN 43-50-M16-150-D3-*	50	M16	150	13	2.5	17	4	60	2	15	12	14	278
GN 43-50-M16-200-D0-*	50	M16	200	13	2.5	17	-	60	2	15	12	14	297
GN 43-50-M16-200-D1-*	50	M16	200	13	2.5	17	-	60	2	15	12	14	300
GN 43-50-M16-200-D3-*	50	M16	200	13	2.5	17	4	60	2	15	12	14	317
GN 43-60-M16-75-D0-*	60	M16	75	13	2.5	17	-	65	2	15	12	16	185
GN 43-60-M16-75-D1-*	60	M16	75	13	2.5	17	-	65	2	15	12	16	196
GN 43-60-M16-75-D3-*	60	M16	75	13	2.5	17	4.5	65	2	15	12	16	206
GN 43-60-M16-100-D0-*	60	M16	100	13	2.5	17	-	65	2	15	12	16	218
GN 43-60-M16-100-D1-*	60	M16	100	13	2.5	17	-	65	2	15	12	16	229
GN 43-60-M16-100-D3-*	60	M16	100	13	2.5	17	4.5	65	2	15	12	16	239
GN 43-60-M16-125-D0-*	60	M16	125	13	2.5	17	-	65	2	15	12	16	260
GN 43-60-M16-125-D1-*	60	M16	125	13	2.5	17	-	65	2	15	12	16	261
GN 43-60-M16-125-D3-*	60	M16	125	13	2.5	17	4.5	65	2	15	12	16	271
GN 43-60-M16-150-D0-*	60	M16	150	13	2.5	17	-	65	2	15	12	16	282
GN 43-60-M16-150-D1-*	60	M16	150	13	2.5	17	-	65	2	15	12	16	293
GN 43-60-M16-150-D3-*	60	M16	150	13	2.5	17	4.5	65	2	15	12	16	303
GN 43-60-M16-200-D0-*	60	M16	200	13	2.5	17	-	65	2	15	12	16	625
GN 43-60-M16-200-D1-*	60	M16	200	13	2.5	17	-	65	2	15	12	16	636
GN 43-60-M16-200-D3-*	60	M16	200	13	2.5	17	4.5	65	2	15	12	16	646
GN 43-80-M16-75-D0-*	80	M16	75	13	3	18	-	85	2	15	12	20	267
GN 43-80-M16-75-D1-*	80	M16	75	13	3	18	-	85	2	15	12	20	284
GN 43-80-M16-75-D3-*	80	M16	75	13	3	18	5	85	2	15	12	20	308
GN 43-80-M16-100-D0-*	80	M16	100	13	3	18	-	85	2	15	12	20	309
GN 43-80-M16-100-D1-*	80	M16	100	13	3	18	-	85	2	15	12	20	317
GN 43-80-M16-100-D3-*	80	M16	100	13	3	18	5	85	2	15	12	20	350

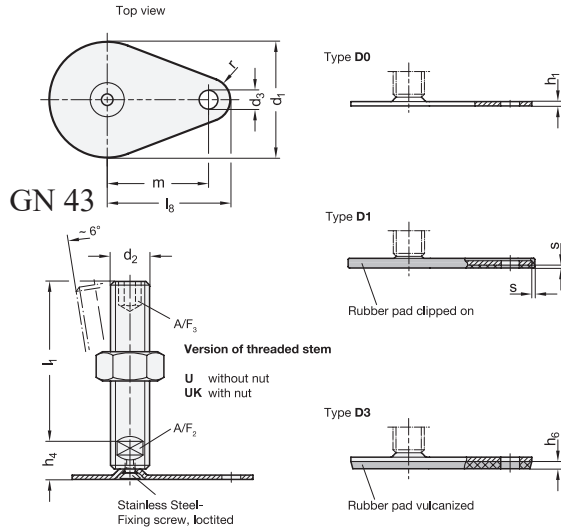
GN 43-T/TK

STAINLESS STEEL

Description	d1	d2	l1	d3	h1	h4	h6	l8	s	r	A/F ₂	Static load in kN	
GN 43-80-M16-125-D0-*	80	M16	125	13	3	18	-	85	2	15	12	20	350
GN 43-80-M16-125-D1-*	80	M16	125	13	3	18	-	85	2	15	12	20	370
GN 43-80-M16-125-D3-*	80	M16	125	13	3	18	5	85	2	15	12	20	373
GN 43-80-M16-150-D0-*	80	M16	150	13	3	18	-	85	2	15	12	20	370
GN 43-80-M16-150-D1-*	80	M16	150	13	3	18	-	85	2	15	12	20	381
GN 43-80-M16-150-D3-*	80	M16	150	13	3	18	5	85	2	15	12	20	400
GN 43-80-M16-200-D0-*	80	M16	200	13	3	18	-	85	2	15	12	20	430
GN 43-80-M16-200-D1-*	80	M16	200	13	3	18	-	85	2	15	12	20	440
GN 43-80-M16-200-D3-*	80	M16	200	13	3	18	5	85	2	15	12	20	450
GN 43-80-M20-75-D0-*	80	M20	75	13	3	19	-	85	2	15	15	20	300
GN 43-80-M20-75-D1-*	80	M20	75	13	3	19	-	85	2	15	15	20	340
GN 43-80-M20-75-D3-*	80	M20	75	13	3	19	5	85	2	15	15	20	362
GN 43-80-M20-100-D0-*	80	M20	100	13	3	19	-	85	2	15	15	20	382
GN 43-80-M20-100-D1-*	80	M20	100	13	3	19	-	85	2	15	15	20	399
GN 43-80-M20-100-D3-*	80	M20	100	13	3	19	5	85	2	15	15	20	421
GN 43-80-M20-125-D0-*	80	M20	125	13	3	19	-	85	2	15	15	20	500
GN 43-80-M20-125-D1-*	80	M20	125	13	3	19	-	85	2	15	15	20	449
GN 43-80-M20-125-D3-*	80	M20	125	13	3	19	5	85	2	15	15	20	471
GN 43-80-M20-150-D0-*	80	M20	150	13	3	19	-	85	2	15	15	20	500
GN 43-80-M20-150-D1-*	80	M20	150	13	3	19	-	85	2	15	15	20	500
GN 43-80-M20-150-D3-*	80	M20	150	13	3	19	5	85	2	15	15	20	522
GN 43-80-M20-200-D0-*	80	M20	200	13	3	19	-	85	2	15	15	20	600
GN 43-80-M20-200-D1-*	80	M20	200	13	3	19	-	85	2	15	15	20	600
GN 43-80-M20-200-D3-*	80	M20	200	13	3	19	5	85	2	15	15	20	622
GN 43-80-M24-100-D0-*	80	M24	100	13	3	22	-	85	2	15	18	22	490
GN 43-80-M24-100-D1-*	80	M24	100	13	3	22	-	85	2	15	18	22	507
GN 43-80-M24-100-D3-*	80	M24	100	13	3	22	5	85	2	15	18	22	527
GN 43-80-M24-125-D0-*	80	M24	125	13	3	22	-	85	2	15	18	22	570
GN 43-80-M24-125-D1-*	80	M24	125	13	3	22	-	85	2	15	18	22	587
GN 43-80-M24-125-D3-*	80	M24	125	13	3	22	5	85	2	15	18	22	607
GN 43-80-M24-150-D0-*	80	M24	150	13	3	22	-	85	2	15	18	22	636
GN 43-80-M24-150-D1-*	80	M24	150	13	3	22	-	85	2	15	18	22	653
GN 43-80-M24-150-D3-*	80	M24	150	13	3	22	5	85	2	15	18	22	673
GN 43-80-M24-200-D0-*	80	M24	200	13	3	22	-	85	2	15	18	22	782
GN 43-80-M24-200-D1-*	80	M24	200	13	3	22	-	85	2	15	18	22	799
GN 43-80-M24-200-D3-*	80	M24	200	13	3	22	5	85	2	15	18	22	819

Weight Version T





* Complete with version of the Levelling feet (Hexagon socket at the top / Wrench at the bottom)

U without nut
UK with nut

GN 43-U/UK

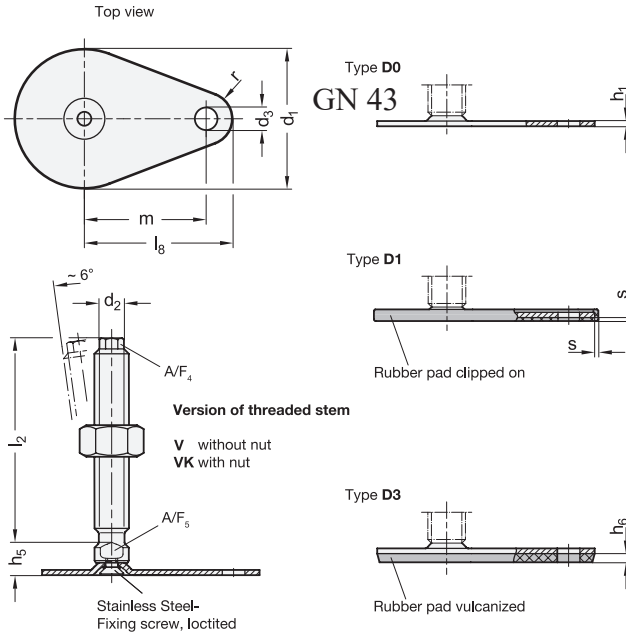
STAINLESS STEEL

Description	d1	d2	l1	d3	h1	h4	h6	l8	s	r	A/F 2	A/F 3	Static load in kN
GN 43-50-M16-75-D0-*	50	M 16	75	13	2.5	17	-	60	2	15	12	8	14 200
GN 43-50-M16-75-D1-*	50	M 16	75	13	2.5	17	-	60	2	15	12	8	14 209
GN 43-50-M16-75-D3-*	50	M 16	75	13	2.5	17	4	60	2	15	12	8	14 220
GN 43-50-M16-100-D0-*	50	M 16	100	13	2.5	17	-	60	2	15	12	8	14 230
GN 43-50-M16-100-D1-*	50	M 16	100	13	2.5	17	-	60	2	15	12	8	14 230
GN 43-50-M16-100-D3-*	50	M 16	100	13	2.5	17	4	60	2	15	12	8	14 240
GN 43-50-M16-150-D1-*	50	M 16	150	13	2.5	17	-	60	2	15	12	8	14 260
GN 43-50-M16-150-D3-*	50	M 16	150	13	2.5	17	4	60	2	15	12	8	14 270
GN 43-50-M16-200-D3-*	50	M 16	200	13	2.5	17	4	60	2	15	12	8	14 285
GN 43-50-M16-200-D0-*	50	M 16	200	13	2.5	17	-	60	2	15	12	8	14 285
GN 43-50-M16-200-D1-*	50	M 16	200	13	2.5	17	-	60	2	15	12	8	14 289
GN 43-50-M16-200-D3-*	50	M 16	200	13	2.5	17	4	60	2	15	12	8	14 289
GN 43-50-M16-200-D0-*	50	M 16	200	13	2.5	17	-	60	2	15	12	8	14 300
GN 43-50-M16-200-D1-*	50	M 16	200	13	2.5	17	-	60	2	15	12	8	14 300
GN 43-50-M16-200-D3-*	50	M 16	200	13	2.5	17	4	60	2	15	12	8	14 317
GN 43-60-M16-75-D0-*	60	M 16	75	13	2.5	17	-	65	2	15	12	8	16 210
GN 43-60-M16-75-D1-*	60	M 16	75	13	2.5	17	-	65	2	15	12	8	16 221
GN 43-60-M16-75-D3-*	60	M 16	75	13	2.5	17	4.5	65	2	15	12	8	16 222
GN 43-60-M16-100-D0-*	60	M 16	100	13	2.5	17	-	65	2	15	12	8	16 220
GN 43-60-M16-100-D1-*	60	M 16	100	13	2.5	17	-	65	2	15	12	8	16 260
GN 43-60-M16-100-D3-*	60	M 16	100	13	2.5	17	4.5	65	2	15	12	8	16 270
GN 43-60-M16-125-D0-*	60	M 16	125	13	2.5	17	-	65	2	15	12	8	16 280
GN 43-60-M16-125-D1-*	60	M 16	125	13	2.5	17	-	65	2	15	12	8	16 256
GN 43-60-M16-125-D3-*	60	M 16	125	13	2.5	17	4.5	65	2	15	12	8	16 300
GN 43-60-M16-150-D0-*	60	M 16	150	13	2.5	17	-	65	2	15	12	8	16 300
GN 43-60-M16-150-D1-*	60	M 16	150	13	2.5	17	-	65	2	15	12	8	16 320
GN 43-60-M16-150-D3-*	60	M 16	150	13	2.5	17	4.5	65	2	15	12	8	16 320
GN 43-60-M16-200-D0-*	60	M 16	200	13	2.5	17	-	65	2	15	12	8	16 378
GN 43-60-M16-200-D1-*	60	M 16	200	13	2.5	17	-	65	2	15	12	8	16 402
GN 43-60-M16-200-D3-*	60	M 16	200	13	2.5	17	4.5	65	2	15	12	8	16 420
GN 43-80-M16-75-D0-*	80	M 16	75	13	3	18	-	85	2	15	12	8	20 300
GN 43-80-M16-75-D1-*	80	M 16	75	13	3	18	-	85	2	15	12	8	20 317
GN 43-80-M16-75-D3-*	80	M 16	75	13	3	18	5	85	2	15	12	8	20 337
GN 43-80-M16-100-D0-*	80	M 16	100	13	3	18	-	85	2	15	12	8	20 340
GN 43-80-M16-100-D1-*	80	M 16	100	13	3	18	-	85	2	15	12	8	20 360
GN 43-80-M16-100-D3-*	80	M 16	100	13	3	18	5	85	2	15	12	8	20 368

GN 43-U/UK

STAINLESS STEEL

Description	d1	d2	l1	d3	h1	h4	h6	l8	s	r	A/F 2	A/F 3	Static load in kN
GN 43-80-M16-125-D0-*	80	M 16	125	13	3	18	-	85	2	15	12	8	20 370
GN 43-80-M16-125-D1-*	80	M 16	125	13	3	18	-	85	2	15	12	8	20 380
GN 43-80-M16-125-D3-*	80	M 16	125	13	3	18	5	85	2	15	12	8	20 400
GN 43-80-M16-150-D0-*	80	M 16	150	13	3	18	-	85	2	15	12	8	20 397
GN 43-80-M16-150-D1-*	80	M 16	150	13	3	18	-	85	2	15	12	8	20 420
GN 43-80-M16-150-D3-*	80	M 16	150	13	3	18	5	85	2	15	12	8	20 450
GN 43-80-M16-200-D0-*	80	M 16	200	13	3	18	-	85	2	15	12	8	20 460
GN 43-80-M16-200-D1-*	80	M 16	200	13	3	18	-	85	2	15	12	8	20 480
GN 43-80-M16-200-D3-*	80	M 16	200	13	3	18	5	85	2	15	12	8	20 500
GN 43-80-M20-75-D0-*	80	M 20	75	13	3	18	-	85	2	15	15	10	20 375
GN 43-80-M20-75-D1-*	80	M 20	75	13	3	18	-	85	2	15	15	10	20 400
GN 43-80-M20-75-D3-*	80	M 20	75	13	3	18	5	85	2	15	15	10	20 440
GN 43-80-M20-100-D0-*	80	M 20	100	13	3	18	-	85	2	15	15	10	20 400
GN 43-80-M20-100-D1-*	80	M 20	100	13	3	18	-	85	2	15	15	10	20 453
GN 43-80-M20-100-D3-*	80	M 20	100	13	3	18	5	85	2	15	15	10	20 460
GN 43-80-M20-125-D0-*	80	M 20	125	13	3	18	-	85	2	15	15	10	20 480
GN 43-80-M20-125-D1-*	80	M 20	125	13	3	18	-	85	2	15	15	10	20 500
GN 43-80-M20-125-D3-*	80	M 20	125	13	3	18	5	85	2	15	15	10	20 520
GN 43-80-M20-150-D0-*	80	M 20	150	13	3	18	-	85					



* Complete with version of Levelling feet (External hexagon socket on the top/Wrench flat at the bottom)

V without nut VK with nut

GN 43-V/VK

STAINLESS STEEL

Description	d1	d2	l2	d3	h1	h5	h6	l8	s	r	A/F ₄	A/F ₅	Static load in kN	⚖
GN 43-60-M16-75-D0-*	60	M 16	75	13	2.5	14	-	65	2	15	10	12	16	178
GN 43-60-M16-75-D1-*	60	M 16	75	13	2.5	14	-	65	2	15	10	12	16	199
GN 43-60-M16-75-D3-*	60	M 16	75	13	2.5	14	4.5	65	2	15	10	12	16	205
GN 43-60-M16-100-D0-*	60	M 16	100	13	2.5	14	-	65	2	15	10	12	16	210
GN 43-60-M16-100-D3-*	60	M 16	100	13	2.5	14	4.5	65	2	15	10	12	16	231
GN 43-60-M16-100-D1-*	60	M 16	100	13	2.5	14	-	65	2	15	10	12	16	221
GN 43-60-M16-150-D0-*	60	M 16	150	13	2.5	14	-	65	2	15	10	12	16	231
GN 43-60-M16-125-D0-*	60	M 16	125	13	2.5	14	-	65	2	15	10	12	16	242
GN 43-60-M16-125-D1-*	60	M 16	125	13	2.5	14	-	65	2	15	10	12	16	253
GN 43-60-M16-125-D3-*	60	M 16	125	13	2.5	14	4.5	65	2	15	10	12	16	263
GN 43-60-M16-150-D1-*	60	M 16	150	13	2.5	14	-	65	2	15	10	12	16	275
GN 43-60-M16-150-D3-*	60	M 16	150	13	2.5	14	4.5	65	2	15	10	12	16	275
GN 43-60-M16-150-D0-*	60	M 16	150	13	2.5	14	-	65	2	15	10	12	16	286
GN 43-80-M16-75-D0-*	80	M 16	75	13	3	15	-	85	2	15	10	12	20	196
GN 43-80-M16-75-D1-*	80	M 16	75	13	3	15	-	85	2	15	10	12	20	148
GN 43-80-M16-75-D3-*	80	M 16	75	13	3	15	5	85	2	15	10	12	20	172
GN 43-80-M16-100-D0-*	80	M 16	100	13	3	15	-	85	2	15	10	12	20	292
GN 43-80-M16-100-D1-*	80	M 16	100	13	3	15	-	85	2	15	10	12	20	309
GN 43-80-M16-100-D3-*	80	M 16	100	13	3	15	5	85	2	15	10	12	20	333
GN 43-80-M16-125-D0-*	80	M 16	125	13	3	15	-	85	2	15	10	12	20	324
GN 43-80-M16-125-D1-*	80	M 16	125	13	3	15	-	85	2	15	10	12	20	341
GN 43-80-M16-125-D3-*	80	M 16	125	13	3	15	5	85	2	15	10	12	20	365
GN 43-80-M16-150-D0-*	80	M 16	150	13	3	15	-	85	2	15	10	12	20	357
GN 43-80-M16-150-D1-*	80	M 16	150	13	3	15	-	85	2	15	10	12	20	374

GN 43-V/VK

STAINLESS STEEL

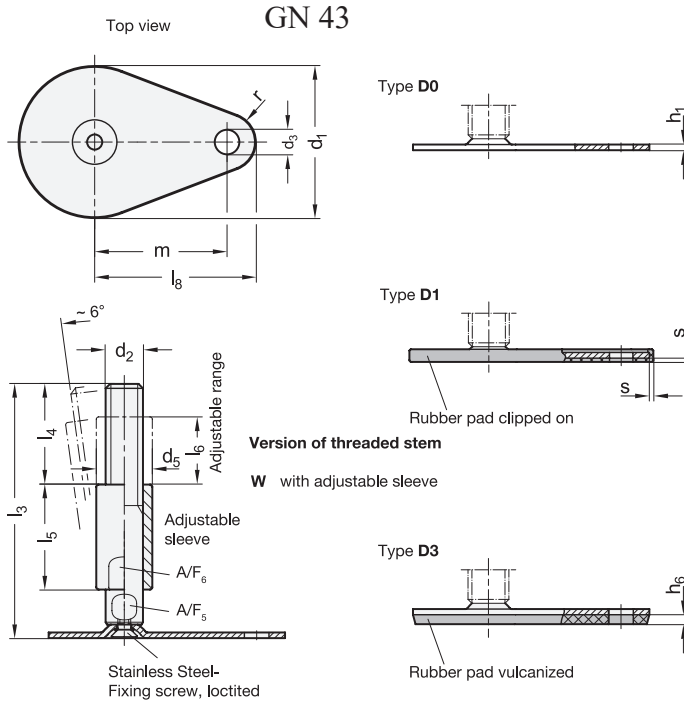
Description	d1	d2	l2	d3	h1	h5	h6	l8	s	r	A/F ₄	A/F ₅	Static load in kN	⚖
GN 43-80-M16-150-D3-*	80	M 16	150	13	3	15	5	85	2	15	10	12	20	398
GN 43-80-M20-100-D0-*	80	M 20	100	13	3	15	-	85	2	15	13	16	20	373
GN 43-80-M20-100-D1-*	80	M 20	100	13	3	15	-	85	2	15	13	16	20	390
GN 43-80-M20-100-D3-*	80	M 20	100	13	3	15	5	85	2	15	13	16	20	412
GN 43-80-M20-125-D0-*	80	M 20	125	13	3	15	-	85	2	15	13	16	20	424
GN 43-80-M20-125-D1-*	80	M 20	125	13	3	15	-	85	2	15	13	16	20	441
GN 43-80-M20-125-D3-*	80	M 20	125	13	3	15	5	85	2	15	13	16	20	463
GN 43-80-M20-150-D0-*	80	M 20	150	13	3	15	-	85	2	15	13	16	20	476
GN 43-80-M20-150-D1-*	80	M 20	150	13	3	15	-	85	2	15	13	16	20	493
GN 43-80-M20-150-D3-*	80	M 20	150	13	3	15	5	85	2	15	13	16	20	515
GN 43-80-M20-200-D0-*	80	M 20	200	13	3	15	-	85	2	15	13	16	20	581
GN 43-80-M20-200-D1-*	80	M 20	200	13	3	15	-	85	2	15	13	16	20	598
GN 43-80-M20-200-D3-*	80	M 20	200	13	3	15	5	85	2	15	13	16	20	620
GN 43-80-M24-100-D0-*	80	M 24	100	13	3	18	-	85	2	15	17	20	22	476
GN 43-80-M24-100-D1-*	80	M 24	100	13	3	18	-	85	2	15	17	20	22	493
GN 43-80-M24-100-D3-*	80	M 24	100	13	3	18	5	85	2	15	17	20	22	513
GN 43-80-M24-150-D0-*	80	M 24	150	13	3	18	-	85	2	15	17	20	22	624
GN 43-80-M24-150-D1-*	80	M 24	150	13	3	18	-	85	2	15	17	20	22	641
GN 43-80-M24-150-D3-*	80	M 24	150	13	3	18	5	85	2	15	17	20	22	661
GN 43-80-M24-200-D0-*	80	M 24	200	13	3	18	-	85	2	15	17	20	22	770
GN 43-80-M24-200-D1-*	80	M 24	200	13	3	18	-	85	2	15	17	20	22	787
GN 43-80-M24-200-D3-*	80	M 24	200	13	3	18	5	85	2	15	17	20	22	807

Weight Version V





Levelling elements 11



GN 43-W

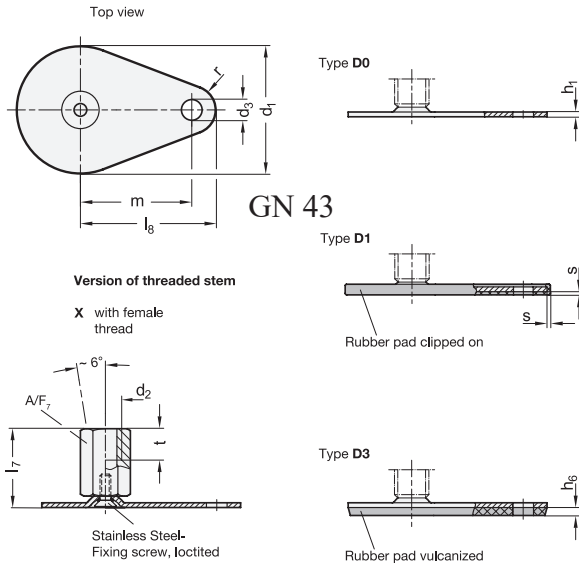
STAINLESS STEEL

Description	d1	d2	l3	d3	h1	h6	l4	l5	l6	l8	s	r	A/F ₅	A/F ₆	Static load in kN	
GN 43-60-M16-110-D0-W	60	M 16	110	13	2.5	-	45	45	29	65	2	15	12	20	16	300
GN 43-60-M16-110-D1-W	60	M 16	110	13	2.5	-	45	45	29	65	2	15	12	20	16	314
GN 43-60-M16-110-D3-W	60	M 16	110	13	2.5	4.5	45	45	29	65	2	15	12	20	16	324
GN 43-60-M16-135-D0-W	60	M 16	135	13	2.5	-	45	45	29	65	2	15	12	20	16	340
GN 43-60-M16-135-D1-W	60	M 16	135	13	2.5	-	45	45	29	65	2	15	12	20	16	351
GN 43-60-M16-135-D3-W	60	M 16	135	13	2.5	4.5	45	45	29	65	2	15	12	20	16	361
GN 43-60-M16-160-D0-W	60	M 16	160	13	2.5	-	45	45	29	65	2	15	12	20	16	381
GN 43-60-M16-160-D1-W	60	M 16	160	13	2.5	-	45	45	29	65	2	15	12	20	16	392
GN 43-60-M16-160-D3-W	60	M 16	160	13	2.5	4.5	45	45	29	65	2	15	12	20	16	402
GN 43-60-M16-185-D0-W	60	M 16	185	13	2.5	-	45	45	29	65	2	15	12	20	16	421
GN 43-60-M16-185-D1-W	60	M 16	185	13	2.5	-	45	45	29	65	2	15	12	20	16	432
GN 43-60-M16-185-D3-W	60	M 16	185	13	2.5	4.5	45	45	29	65	2	15	12	20	16	442
GN 43-80-M16-110-D0-W	80	M 16	110	13	3	-	45	45	29	85	2	15	12	20	20	385
GN 43-80-M16-110-D1-W	80	M 16	110	13	3	-	45	45	29	85	2	15	12	20	20	402
GN 43-80-M16-110-D3-W	80	M 16	110	13	3	5	45	45	29	85	2	15	12	20	20	426
GN 43-80-M16-135-D0-W	80	M 16	135	13	3	-	45	45	29	85	2	15	12	20	20	400
GN 43-80-M16-135-D1-W	80	M 16	135	13	3	-	45	45	29	85	2	15	12	20	20	439
GN 43-80-M16-135-D3-W	80	M 16	135	13	3	5	45	45	29	85	2	15	12	20	20	463
GN 43-80-M16-160-D0-W	80	M 16	160	13	3	-	45	45	29	85	2	15	12	20	20	430
GN 43-80-M16-160-D1-W	80	M 16	160	13	3	-	45	45	29	85	2	15	12	20	20	480
GN 43-80-M16-160-D3-W	80	M 16	160	13	3	5	45	45	29	85	2	15	12	20	20	500
GN 43-80-M16-185-D0-W	80	M 16	185	13	3	-	45	45	29	85	2	15	12	20	20	503
GN 43-80-M16-185-D1-W	80	M 16	185	13	3	-	45	45	29	85	2	15	12	20	20	520

GN 43-W

STAINLESS STEEL

Description	d1	d2	l3	d3	h1	h6	l4	l5	l6	l8	s	r	A/F ₅	A/F ₆	Static load in kN	
GN 43-80-M16-185-D3-W	80	M 16	185	13	3	5	45	45	29	85	2	15	12	20	20	544
GN 43-80-M20-134-D0-W	80	M 20	134	13	3	-	56	56	37	85	2	15	16	24	20	603
GN 43-80-M20-134-D1-W	80	M 20	134	13	3	-	56	56	37	85	2	15	16	24	20	620
GN 43-80-M20-134-D3-W	80	M 20	134	13	3	5	56	56	37	85	2	15	16	24	20	642
GN 43-80-M20-159-D0-W	80	M 20	159	13	3	-	56	56	37	85	2	15	16	24	20	666
GN 43-80-M20-159-D1-W	80	M 20	159	13	3	-	56	56	37	85	2	15	16	24	20	683
GN 43-80-M20-159-D3-W	80	M 20	159	13	3	5	56	56	37	85	2	15	16	24	20	705
GN 43-80-M20-184-D0-W	80	M 20	184	13	3	-	56	56	37	85	2	15	16	24	20	729
GN 43-80-M20-184-D1-W	80	M 20	184	13	3	-	56	56	37	85	2	15	16	24	20	746
GN 43-80-M20-184-D3-W	80	M 20	184	13	3	5	56	56	37	85	2	15	16	24	20	768
GN 43-80-M20-234-D0-W	80	M 20	234	13	3	-	56	56	37	85	2	15	16	24	20	852
GN 43-80-M20-234-D1-W	80	M 20	234	13	3	-	56	56	37	85	2	15	16	24	20	869
GN 43-80-M20-234-D3-W	80	M 20	234	13	3	5	56	56	37	85	2	15	16	24	20	892
GN 43-80-M24-159-D0-W	80	M 24	159	13	3	-	67	67	42	85	2	15	20	30	22	905
GN 43-80-M24-159-D1-W	80	M 24	159	13	3	-	67	67	42	85	2	15	20	30	22	922
GN 43-80-M24-159-D3-W	80	M 24	159	13	3	5	67	67	42	85	2	15	20	30	22	942
GN 43-80-M24-209-D0-W	80	M 24	209	13	3	-	67	67	42	85	2	15	20	30	22	1083
GN 43-80-M24-209-D1-W	80	M 24	209	13	3	-	67	67	42	85	2	15	20	30	22	1100
GN 43-80-M24-209-D3-W	80	M 24	209	13	3	5	67	67	42	85	2	15	20	30	22	1120
GN 43-80-M24-259-D0-W	80	M 24	259	13	3	-	67	67	42	85	2	15	20	30	22	1262
GN 43-80-M24-259-D1-W	80	M 24	259	13	3	-	67	67	42	85	2	15	20	30	22	1279
GN 43-80-M24-259-D3-W	80	M 24	259	13	3	5	67	67	42	85	2	15	20	30	22	1360



GN 43-X

STAINLESS STEEL

Description	d1	d2	l7	d3	h1	h6	l8	r	A/F 7	t	s	Static load in kN	
GN 43-50-M8-25-D0-X	50	M 8	25	13	2.5	-	60	15	14	8	2	8	85
GN 43-50-M8-25-D1-X	50	M 8	25	13	2.5	-	60	15	14	8	2	8	95
GN 43-50-M8-25-D3-X	50	M 8	25	13	2.5	4	60	15	14	8	2	8	97
GN 43-50-M10-28-D0-X	50	M 10	28	13	2.5	-	60	15	14	10	2	14	99
GN 43-50-M10-28-D1-X	50	M 10	28	13	2.5	-	60	15	14	10	2	14	100
GN 43-50-M10-28-D3-X	50	M 10	28	13	2.5	4	60	15	14	10	2	14	110
GN 43-50-M12-32-D0-X	50	M 12	32	13	2.5	-	60	15	17	12	2	14	117
GN 43-50-M12-32-D1-X	50	M 12	32	13	2.5	-	60	15	17	12	2	14	110
GN 43-50-M12-32-D3-X	50	M 12	32	13	2.5	4	60	15	17	12	2	14	120
GN 43-50-M16-37-D0-X	50	M 16	37	13	2.5	-	60	15	22	16	2	14	120
GN 43-50-M16-37-D1-X	50	M 16	37	13	2.5	-	60	15	22	16	2	14	129
GN 43-50-M16-37-D3-X	50	M 16	37	13	2.5	4	60	15	22	16	2	14	160
GN 43-60-M8-25-D0-X	60	M 8	25	13	2.5	-	65	15	14	8	2	8	99
GN 43-60-M8-25-D1-X	60	M 8	25	13	2.5	-	65	15	14	8	2	8	109
GN 43-60-M8-25-D3-X	60	M 8	25	13	2.5	4.5	65	15	14	8	2	8	120
GN 43-60-M10-28-D0-X	60	M 10	28	13	2.5	-	65	15	14	10	2	14	100
GN 43-60-M10-28-D1-X	60	M 10	28	13	2.5	-	65	15	14	10	2	14	110
GN 43-60-M10-28-D3-X	60	M 10	28	13	2.5	4.5	65	15	14	10	2	14	125
GN 43-60-M12-32-D0-X	60	M 12	32	13	2.5	-	65	15	17	12	2	16	134
GN 43-60-M12-32-D1-X	60	M 12	32	13	2.5	-	65	15	17	12	2	16	145
GN 43-60-M12-32-D3-X	60	M 12	32	13	2.5	4.5	65	15	17	12	2	16	150
GN 43-60-M16-37-D0-X	60	M 16	37	13	2.5	-	65	15	22	16	2	16	155
GN 43-60-M16-37-D1-X	60	M 16	37	13	2.5	-	65	15	22	16	2	16	160
GN 43-60-M16-37-D3-X	60	M 16	37	13	2.5	4.5	65	15	22	16	2	16	170
GN 43-80-M8-26-D0-X	80	M 8	26	13	3	-	85	15	14	8	2	8	182
GN 43-80-M8-26-D1-X	80	M 8	26	13	3	-	85	15	14	8	2	8	199
GN 43-80-M8-26-D3-X	80	M 8	26	13	3	5	85	15	14	8	2	8	222
GN 43-80-M10-29-D0-X	80	M 10	29	13	3	-	85	15	14	10	2	14	182
GN 43-80-M10-29-D1-X	80	M 10	29	13	3	-	85	15	14	10	2	14	199
GN 43-80-M10-29-D3-X	80	M 10	29	13	3	5	85	15	14	10	2	14	230
GN 43-80-M12-32-D0-X	80	M 12	32	13	3	-	85	15	17	12	2	20	200
GN 43-80-M12-32-D1-X	80	M 12	32	13	3	-	85	15	17	12	2	20	220
GN 43-80-M12-32-D3-X	80	M 12	32	13	3	5	85	15	17	12	2	20	240
GN 43-80-M16-38-D0-X	80	M 16	38	13	3	-	85	15	22	16	2	20	240
GN 43-80-M16-38-D1-X	80	M 16	38	13	3	-	85	15	22	16	2	20	257
GN 43-80-M16-38-D3-X	80	M 16	38	13	3	5	85	15	22	16	2	20	300
GN 43-80-M20-45-D0-X	80	M 20	45	13	3	-	85	15	27	20	2	20	300
GN 43-80-M20-45-D1-X	80	M 20	45	13	3	-	85	15	27	20	2	20	320
GN 43-80-M20-45-D3-X	80	M 20	45	13	3	5	85	15	27	20	2	20	340